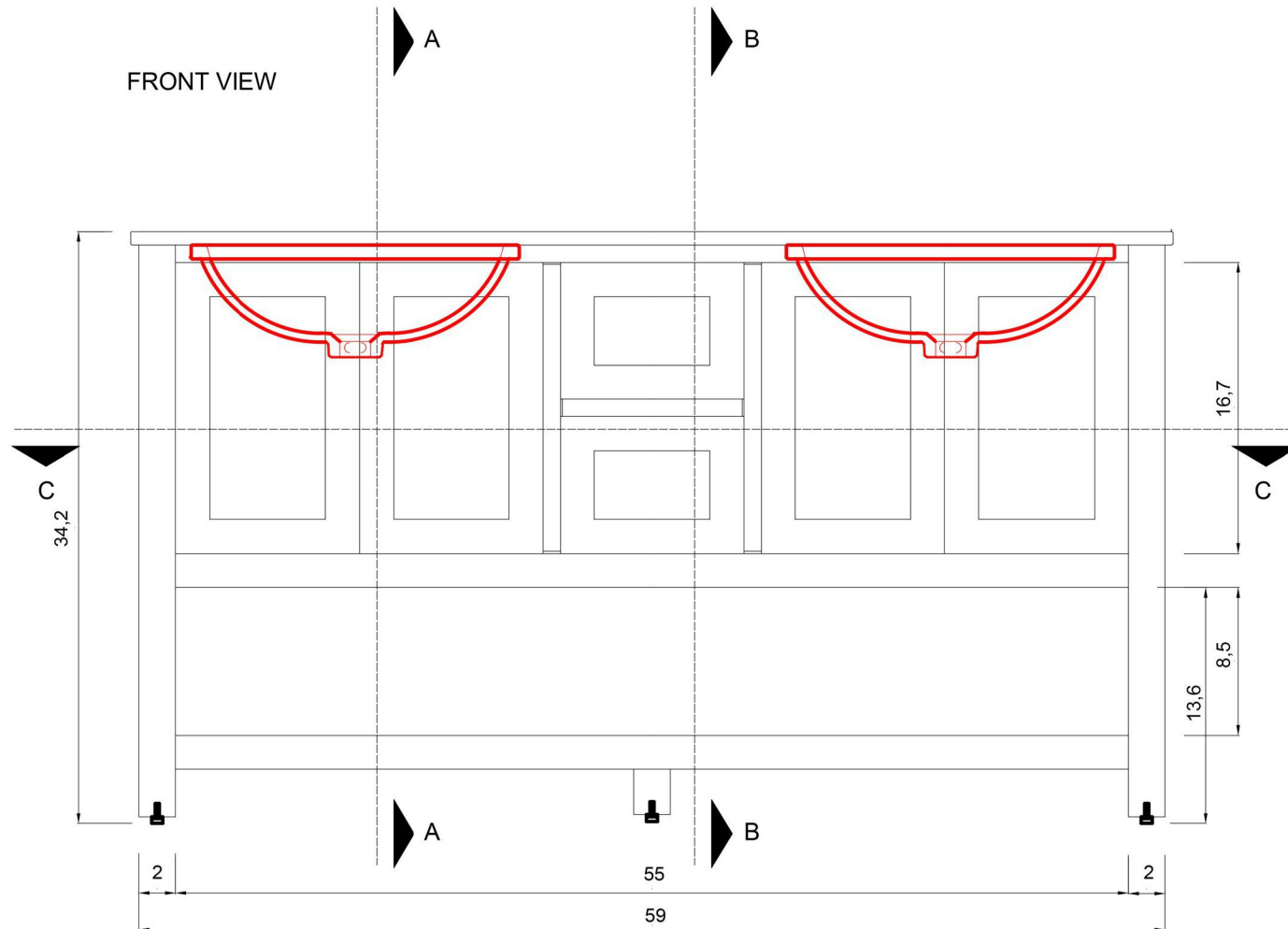


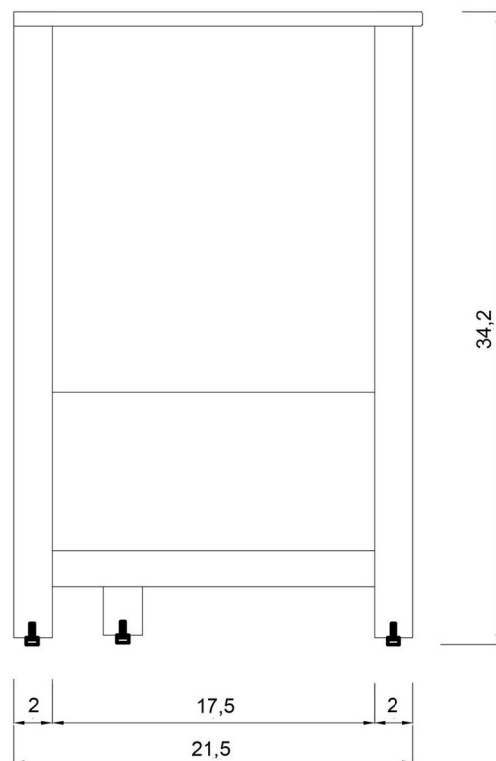
WILMINGTON COLLECTION



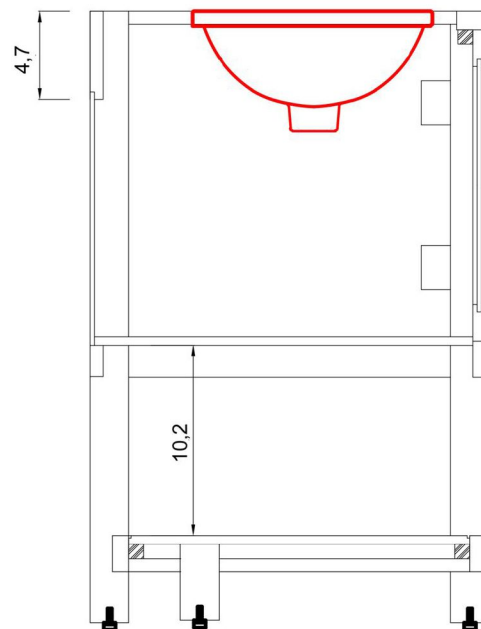
HE-102-60D-CWMT

WILMINGTON COLLECTION

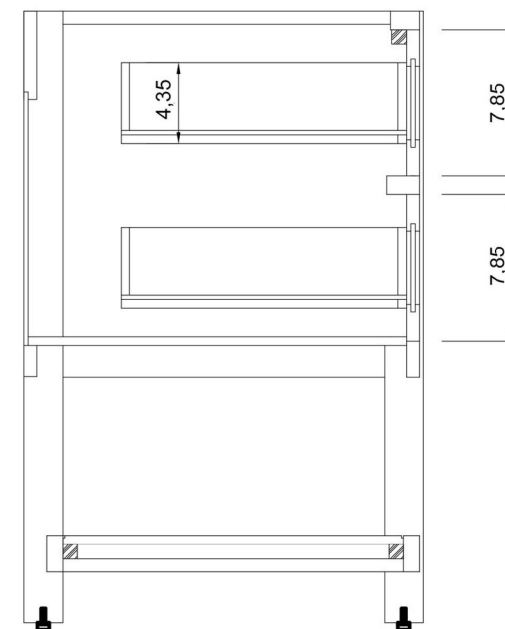
SIDE VIEW



A - A SECTION

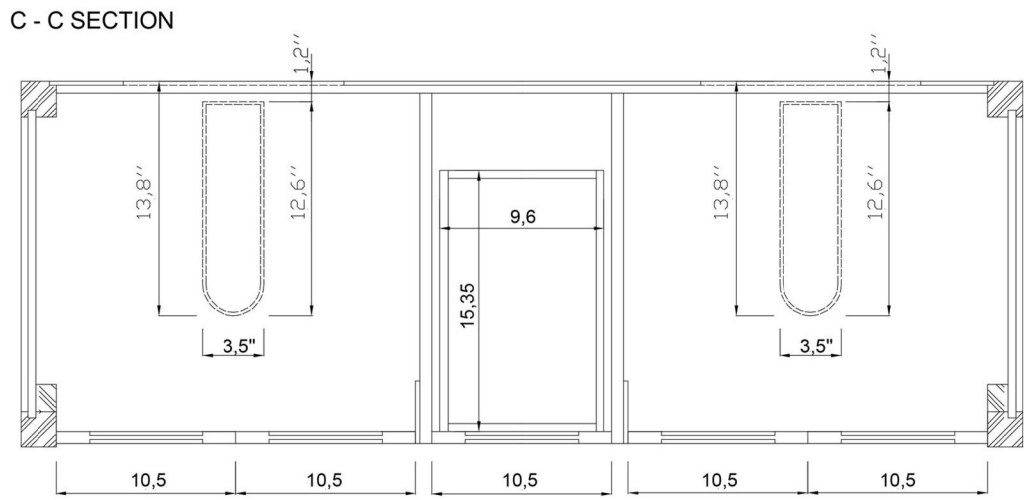
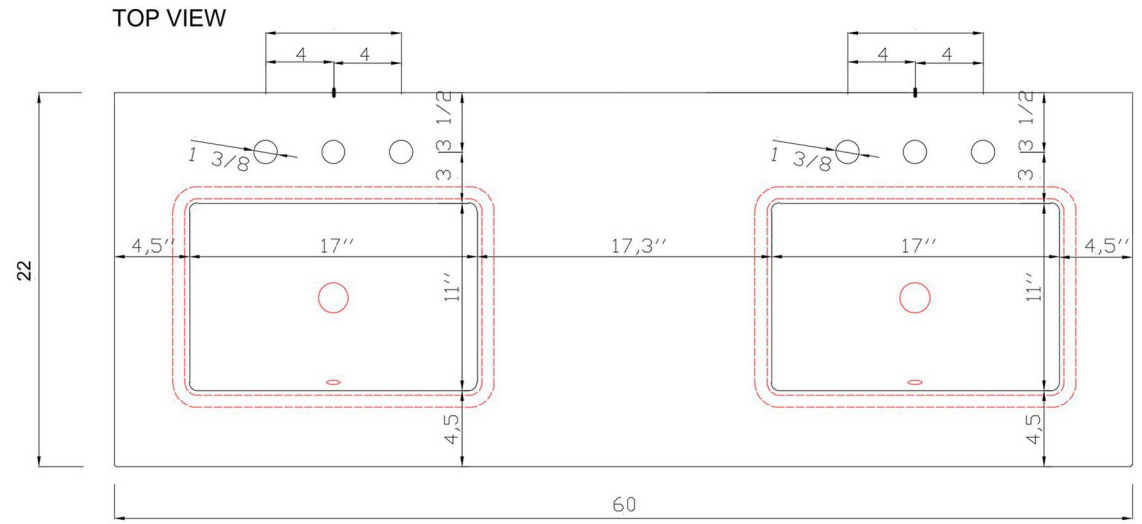


B - B SECTION



HE-102-60D-CWMT

WILMINGTON COLLECTION



HE-102-60D-CWMT